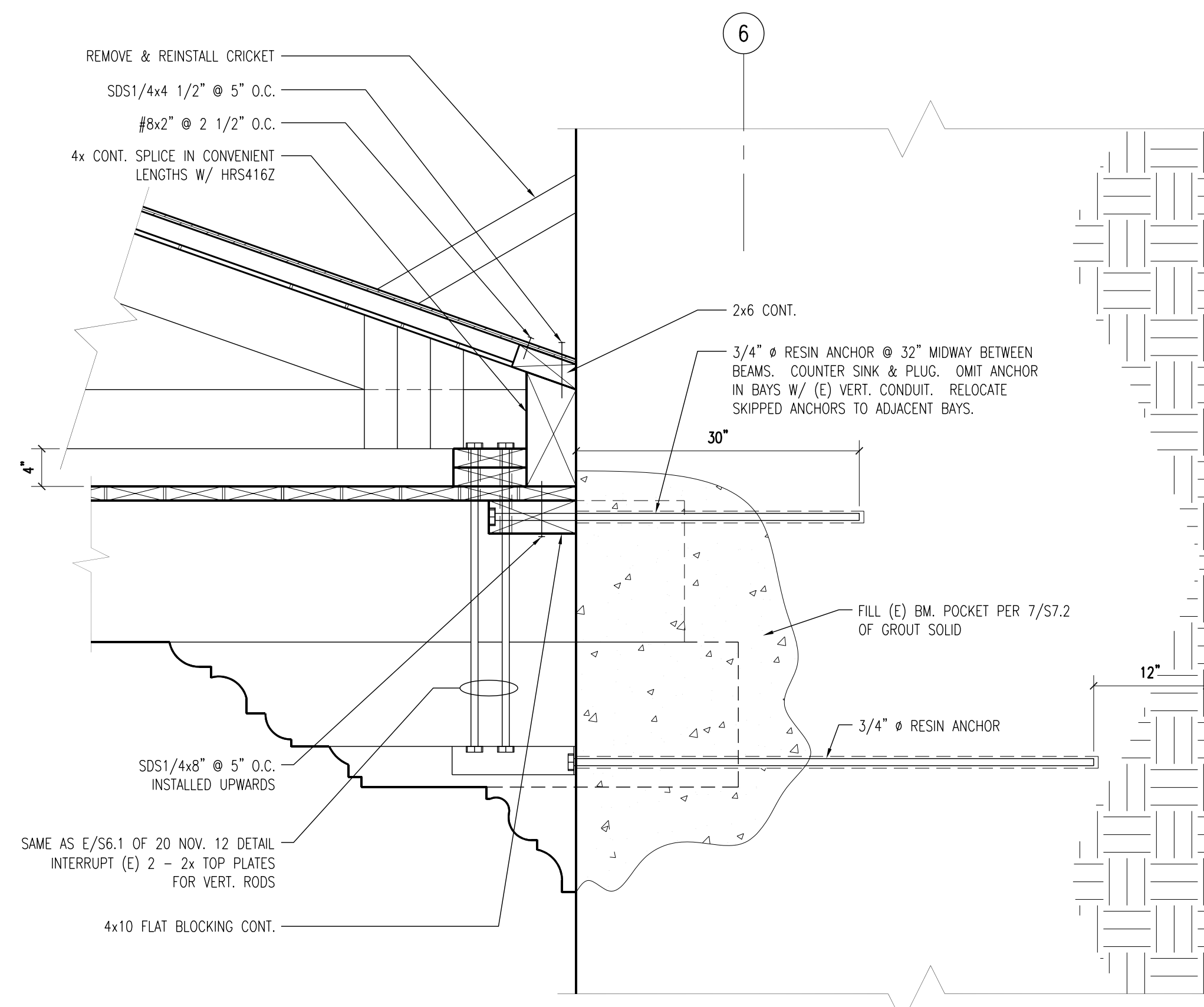


L/S6.2 AT ORATORY

SCALE: 1" = 1'-0"

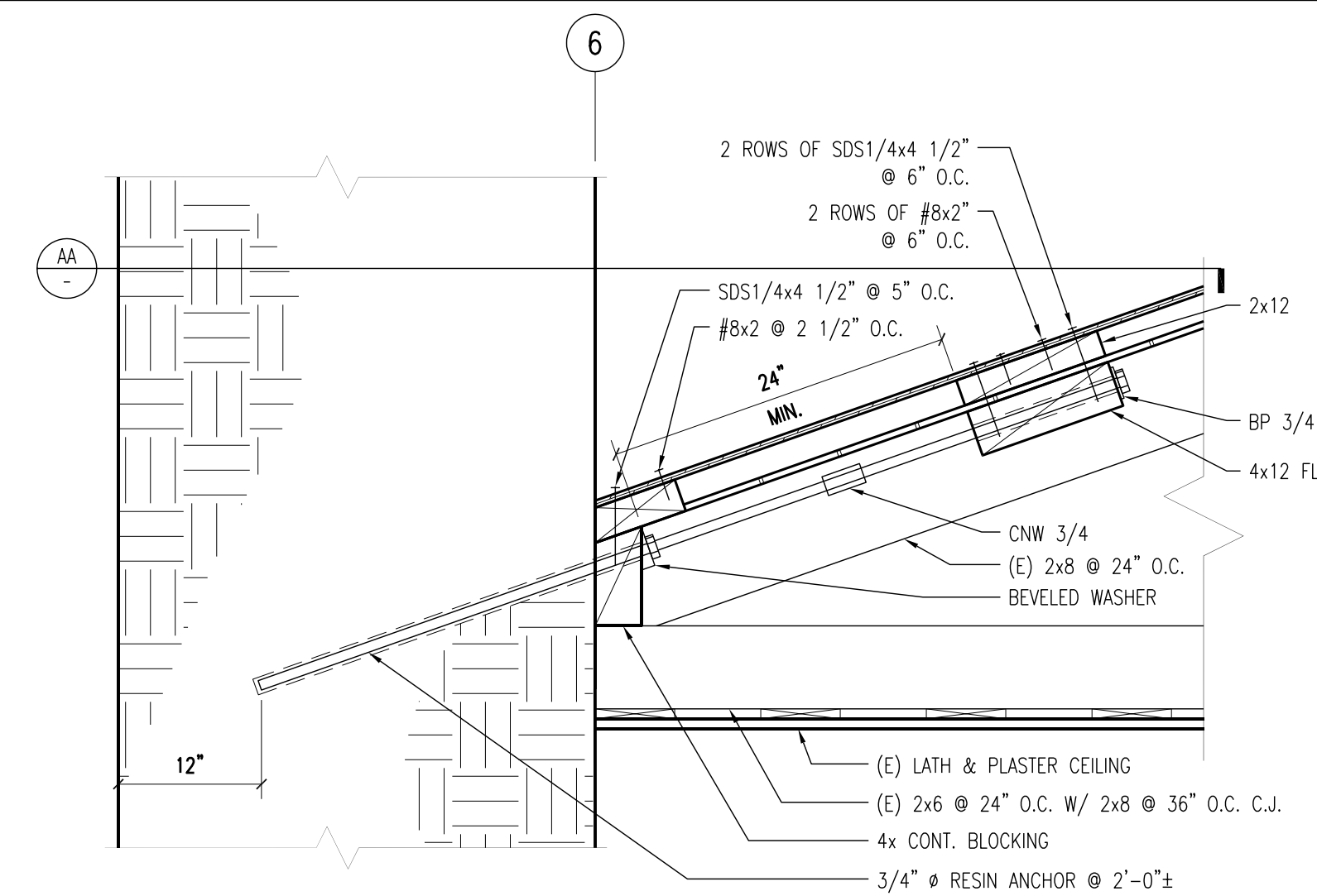
C



M/S6.2 AT SACRISTY

SCALE: 1" = 1'-0"

A

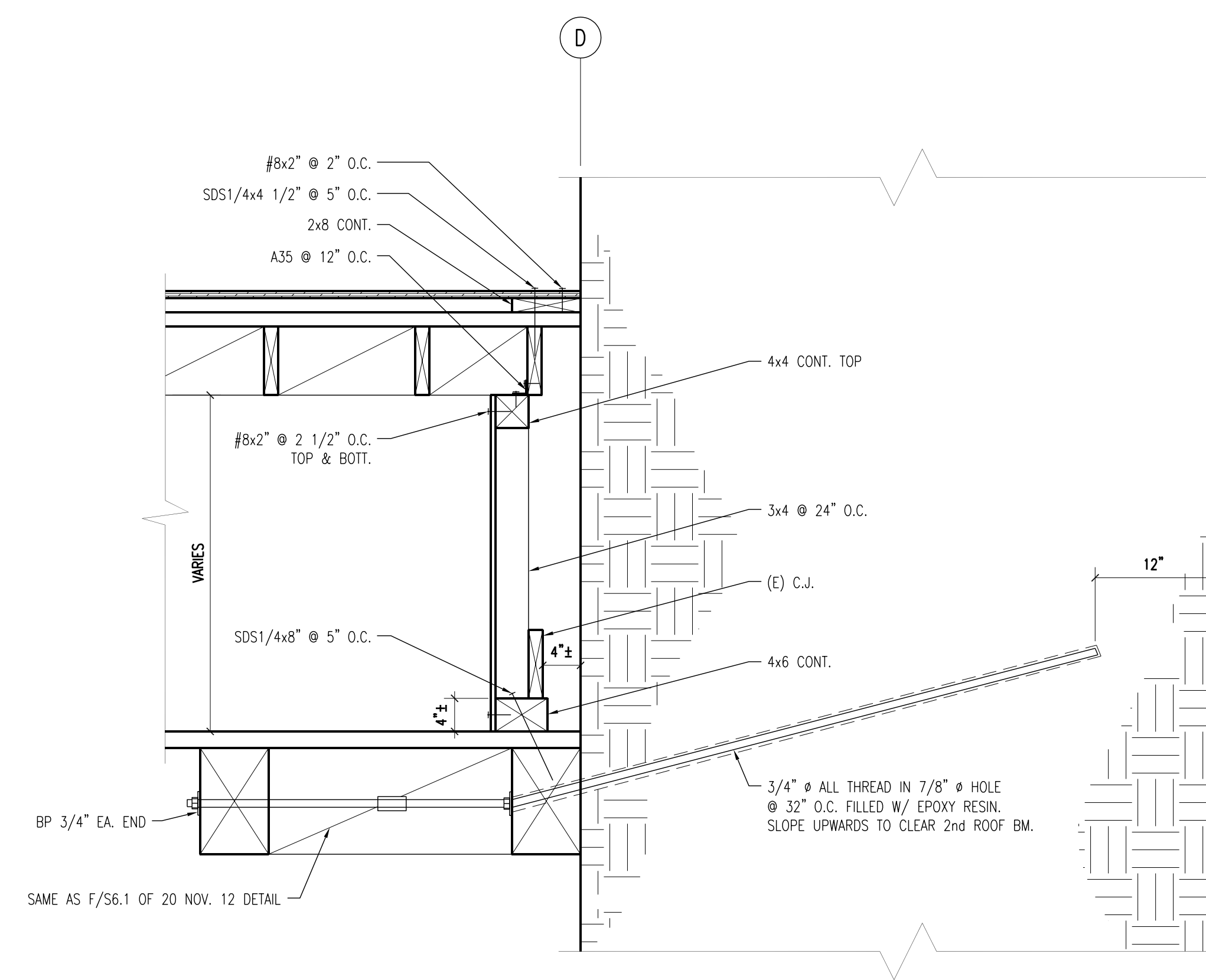


AA PLAN VIEW

M/S6.2 AT ORATORY

SCALE: 1" = 1'-0"

D



L/S6.2 AT SACRISTY

SCALE: 1" = 1'-0"

B

**HERITAGE**  
ARCHITECTURE  
& PLANNING

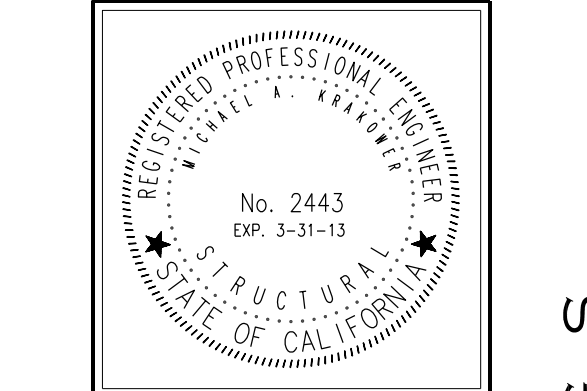
625 BROADWAY SUITE 800  
SAN DIEGO CALIFORNIA 92101  
(619) 239-7888 FAX (619) 234-6286

michael krakower, se

**krakower & associates**  
structural engineers

160 white oak drive  
arcadia, ca 91709

626 355-6088  
fax 626 355-9394  
e-mail: mkrakow@kraknet.net



**MISSION SAN LUIS REY**  
CHURCH SEISMIC RETROFIT PROJECT

4050 MISSION AVENUE, OCEANSIDE, CA 92057

ARCHITECT
C 2 4 7 8 5
OWNER
MISSION SAN LUIS REY
PROJECT
09005
DATE
APRIL 12, 2011
REVISIONS
2 MARCH 04, 2013
FIELD CHANGES

ALL DESIGN, IDEAS, AND ARRANGEMENTS AS INDICATED ON THESE DRAWINGS ARE THE LEGAL PROPERTY OF HERITAGE ARCHITECTURE AND PLANNING AND SHALL BE RESTRICTED TO THE ORIGINAL SITE AND SPECIFIC PROJECT FOR WHICH THEY WERE PREPARED. REPRODUCTION, PUBLICATION OR RE-USE BY ANY METHOD, WHOLE OR PART, WITHOUT THE EXPRESS WRITTEN CONSENT OF HERITAGE ARCHITECTURE AND PLANNING IS PROHIBITED. THERE SHALL BE NO CHANGES OR DEVIATIONS FROM THESE DRAWINGS OR ACCOMPANYING SPECIFICATIONS WITHOUT THE WRITTEN CONSENT OF HERITAGE ARCHITECTURE AND PLANNING. ANY ATTEMPT TO REPRODUCE OR RE-USE OF THESE DRAWINGS WITHOUT THE SIGNATURES AND APPROVAL OF THE DESIGN TEAM OF ANY AND ALL DISSEMINATION SHALL BE CONSIDERED A VIOLATION OF THESE DRAWINGS AND SPECIFICATIONS, WHERE APPLICABLE, SHALL CONSTITUTE FRAUD. EVIDENCE OF THE ACCEPTANCE OF ALL THESE RESTRICTIONS WITHOUT PREJUDICE.

SHEET TITLE

**STRUCTURAL**  
DETAILS DURING  
CONSTRUCTION

**CO-1**

REVISSED STRUCTURAL DRAWINGS

THESE REVISED STRUCTURAL DRAWINGS HAVE BEEN PREPARED, IN PART, BASED UPON INFORMATION FURNISHED BY OTHERS. WHILE THIS INFORMATION IS BELIEVED TO BE RELIABLE, HERITAGE ARCHITECTURE & PLANNING AND KRAKOWER & ASSOCIATES ASSUMES NO RESPONSIBILITY FOR THE ACCURACY OF THESE DRAWINGS OR FOR ANY ERRORS OR OMISSIONS THAT MAY HAVE BEEN INCORPORATED INTO THEM AS A RESULT OF INCORRECT INFORMATION PROVIDED TO THE DESIGNER. THOSE RELYING ON THIS DOCUMENT ARE ADVISED TO OBTAIN INDEPENDENT VERIFICATION OF ITS ACCURACY.