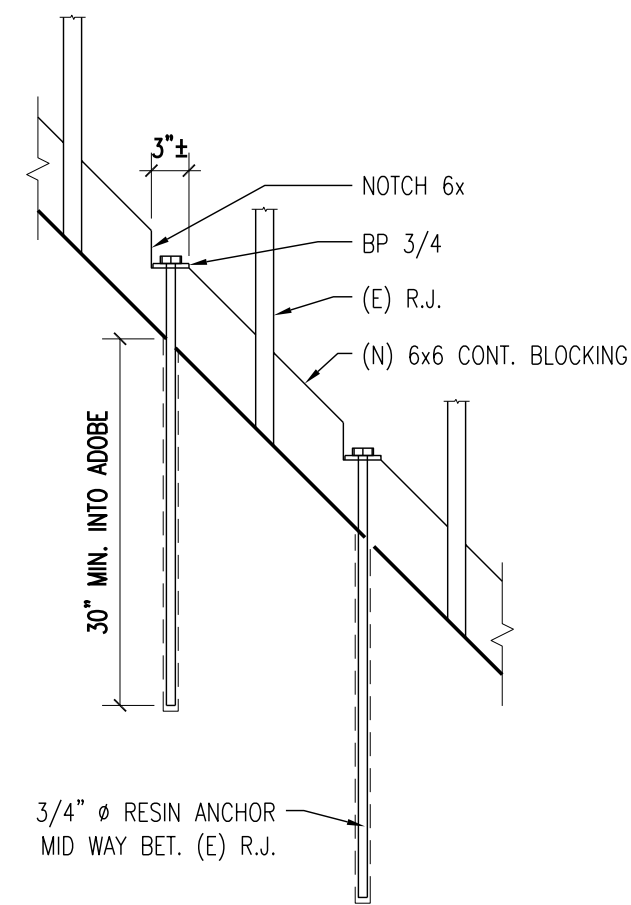
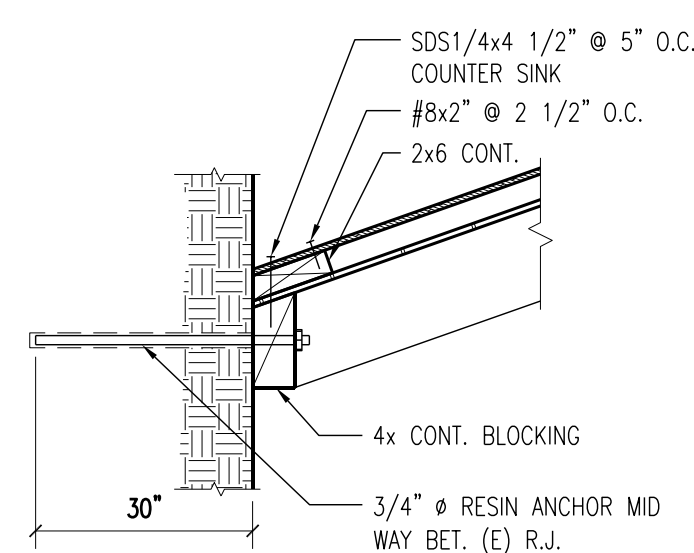


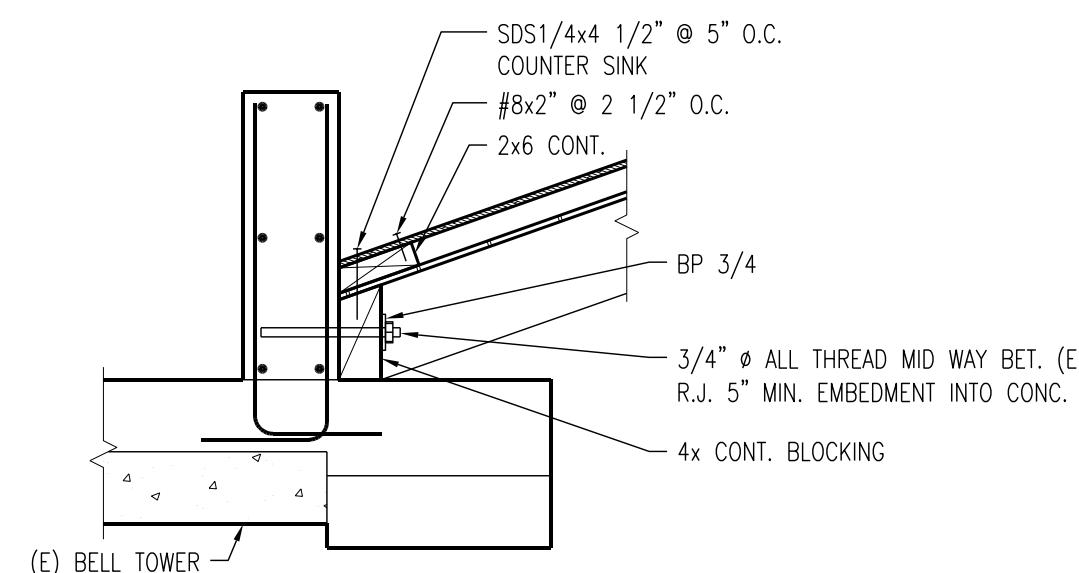
PARTIAL PLAN



C PLAN



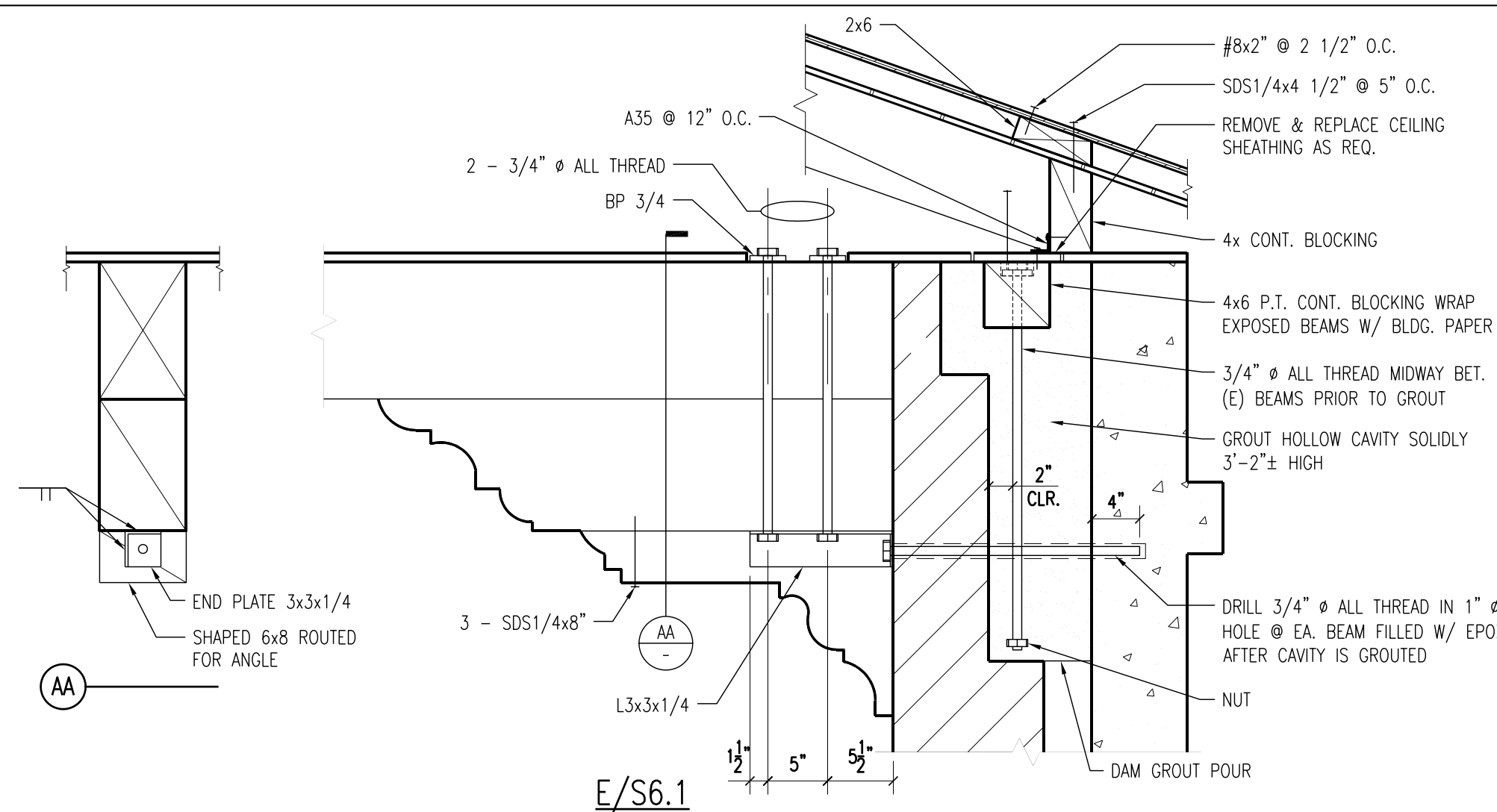
B



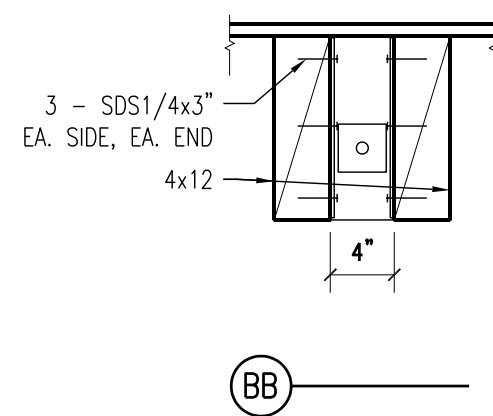
A

SCALE: 3/4" = 1'-0"

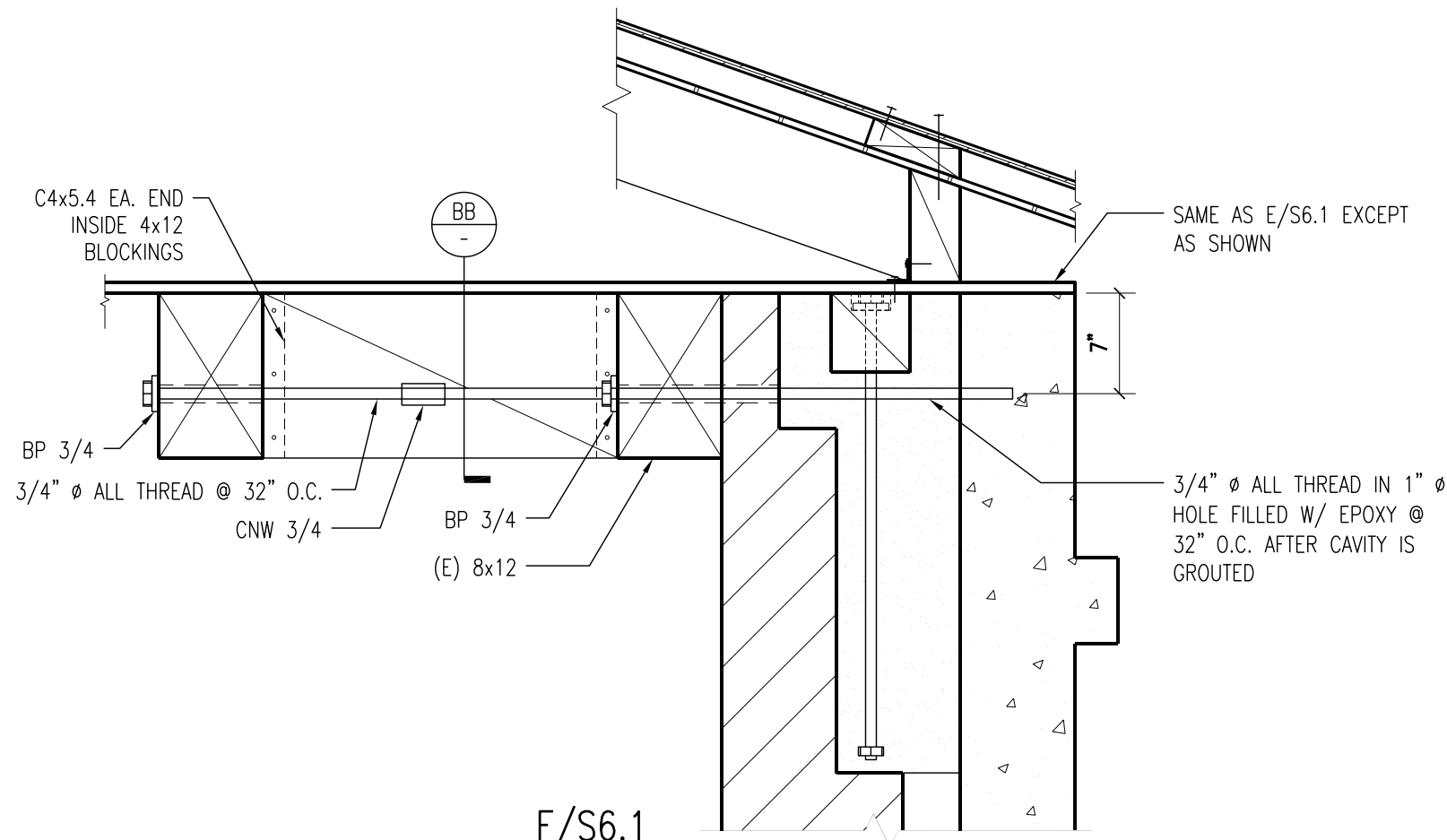
D



E/S6.1



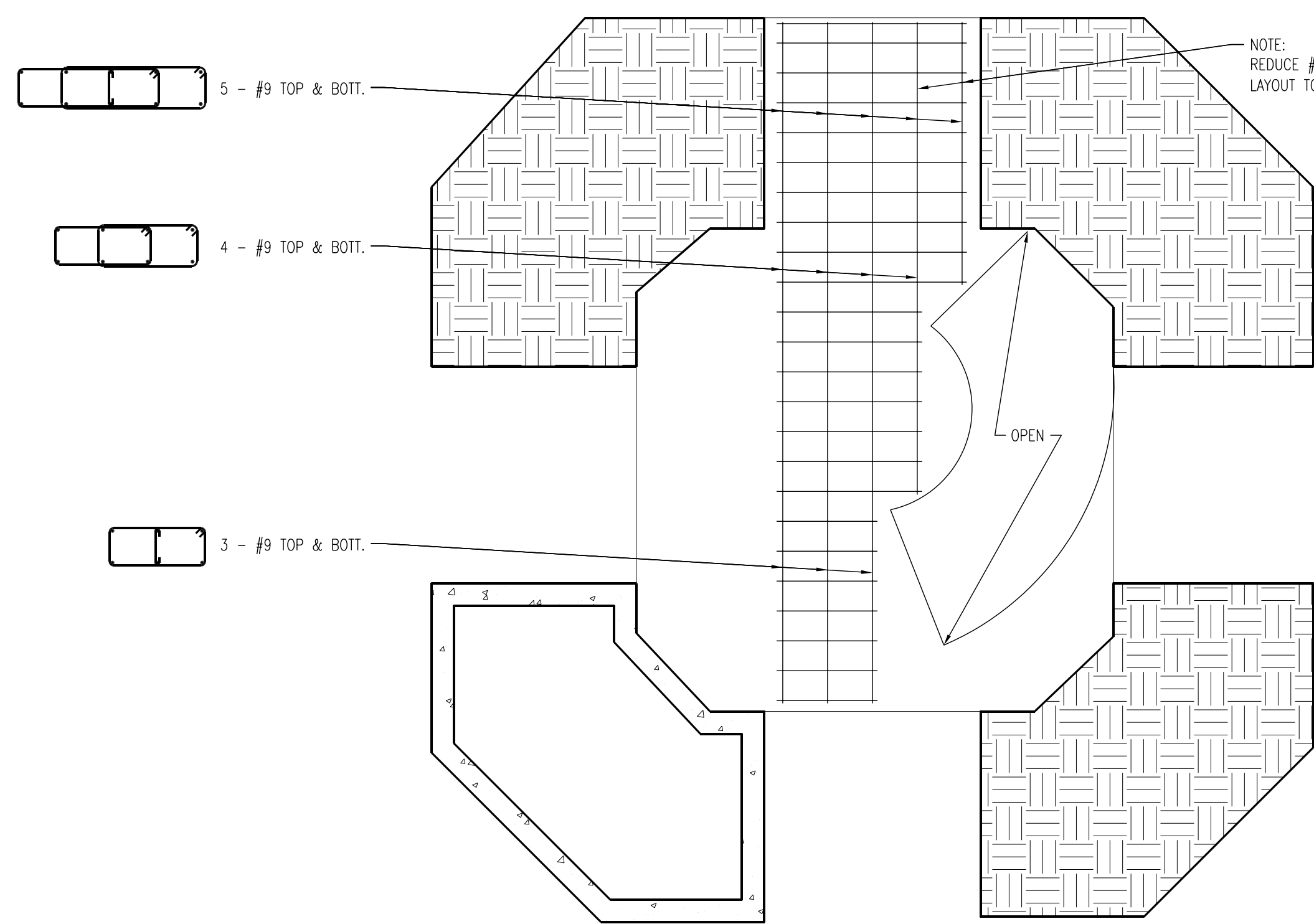
BB



F/S6.1

SCALE: 1" = 1'-0"

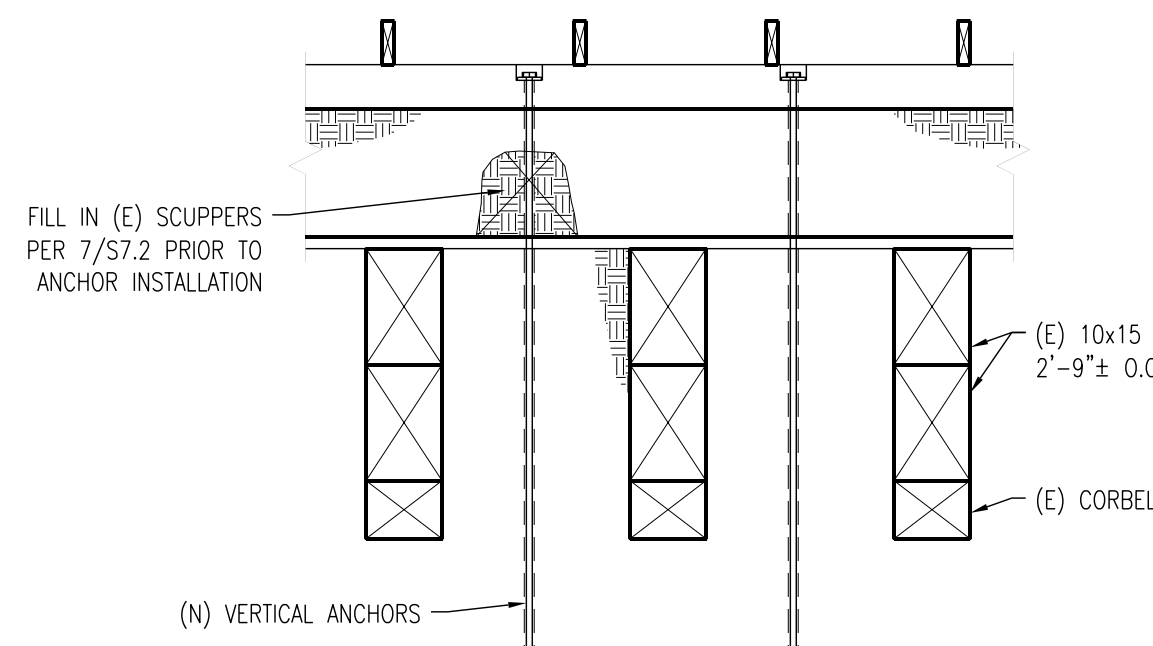
A



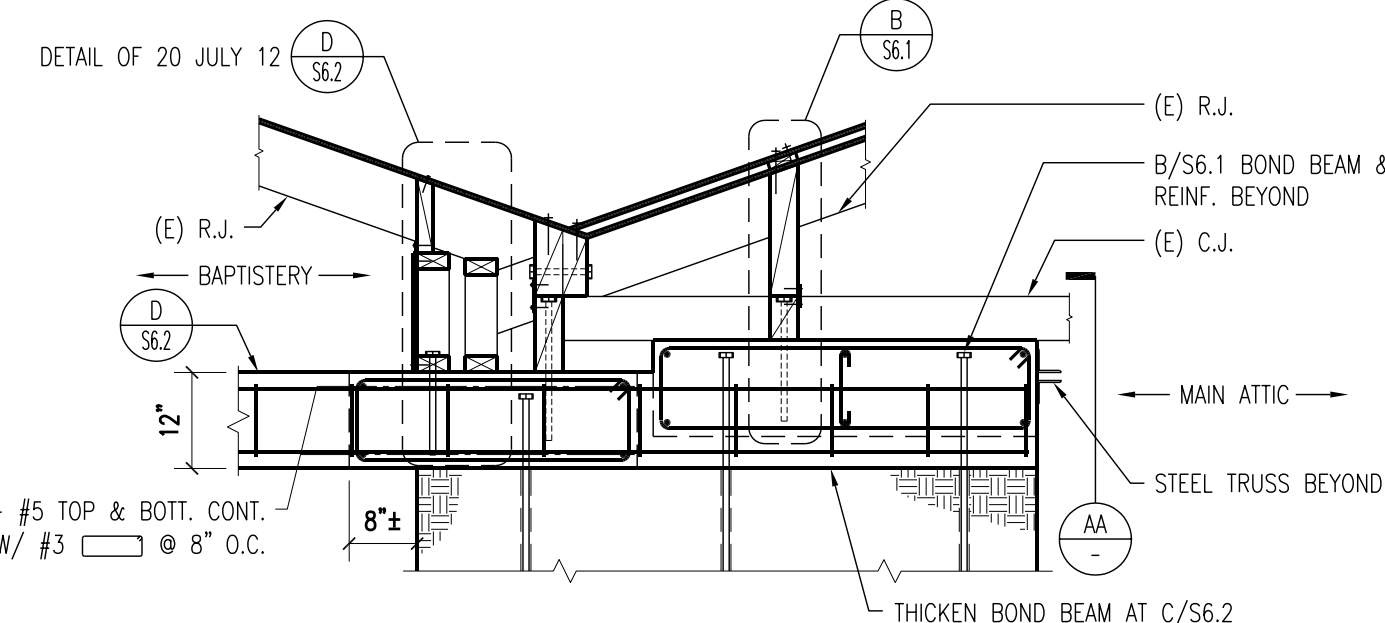
PARTIAL CEILING FRAMING PLAN

SCALE: 3/8" = 1'-0"

E



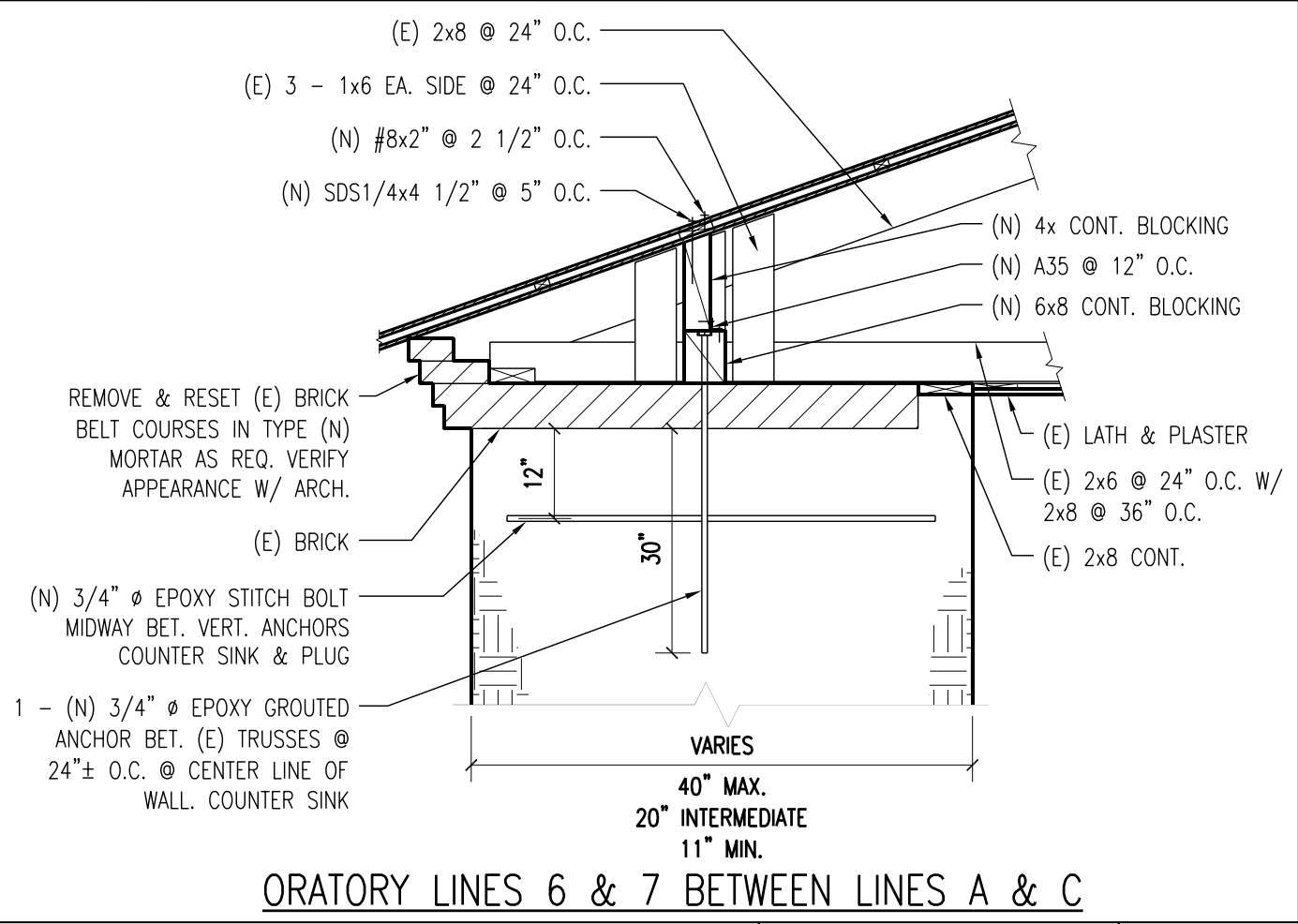
B/S6.1 PARTIAL ELEVATION



C/S6.2

SCALE: 1/2" = 1'-0"

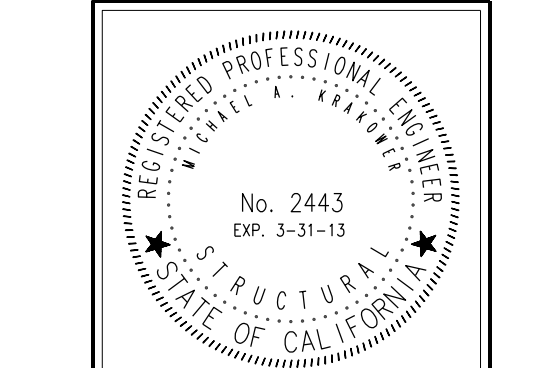
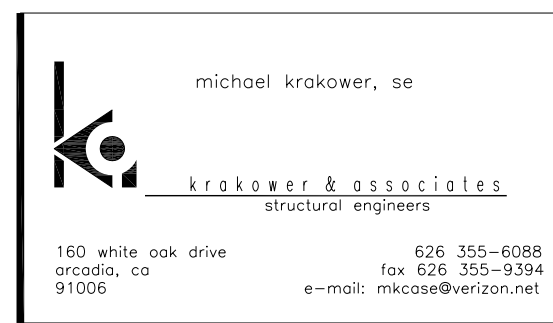
B



ORATORY LINES 6 & 7 BETWEEN LINES A & C

SCALE: 1/2" = 1'-0"

C



MISSION SAN LUIS REY
CHURCH SEISMIC RETROFIT PROJECT
4050 MISSION AVENUE, OCEANSIDE, CA 92057

ARCHITECT	C 2 4 7 8 5
OWNER	MISSION SAN LUIS REY
PROJECT	09005
DATE	APRIL 12, 2011
REVISIONS	MARCH 04, 2013
	2 FIELD CHANGES

ALL DESIGN, IDEAS, AND ARRANGEMENTS AS INDICATED ON THESE DRAWINGS ARE THE LEGAL PROPERTY OF HERITAGE ARCHITECTURE AND PLANNING AND SHALL BE RESTRICTED TO THE ORIGINAL SITE AND SPECIFIC PROJECT FOR WHICH THEY WERE PREPARED. REPRODUCTION, PUBLICATION OR RE-USE BY ANY METHOD, WHOLE OR PART, WITHOUT THE EXPRESS WRITTEN CONSENT OF HERITAGE ARCHITECTURE AND PLANNING IS PROHIBITED. THERE SHALL BE NO CHANGES OR DEVIATIONS FROM THESE DRAWINGS OR ACCOMPANYING SPECIFICATIONS WITHOUT THE WRITTEN CONSENT OF HERITAGE ARCHITECTURE AND PLANNING. ANY ATTEMPT TO REPRODUCE OR RE-USE THESE DRAWINGS WITHOUT THE WRITTEN CONSENT OF HERITAGE ARCHITECTURE AND PLANNING SHALL CONSTITUTE A VIOLATION OF THE PROFESSIONAL ETHICS OF ANY AND ALL ENGINEERS. VISUAL CONTACT WITH THESE DRAWINGS AND SPECIFICATIONS, WHERE APPLICABLE, SHALL CONSTITUTE FRAUD. EVIDENCE OF ALL THESE RESTRICTIONS WITHOUT PREJUDICE.

SHEET TITLE
STRUCTURAL
DETAILS DURING
CONSTRUCTION
CO-2

REVISSED STRUCTURAL DRAWINGS

THESE REVISED STRUCTURAL DRAWINGS HAVE BEEN PREPARED, IN PART, BASED UPON INFORMATION FURNISHED BY OTHERS. WHILE THIS INFORMATION IS BELIEVED TO BE RELIABLE, HERITAGE ARCHITECTURE & PLANNING AND KRAKOWER & ASSOCIATES ASSUMES NO RESPONSIBILITY FOR THE ACCURACY OF THESE DRAWINGS OR FOR ANY ERRORS OR OMISSIONS THAT MAY HAVE BEEN INCORPORATED INTO THEM AS A RESULT OF INCORRECT INFORMATION PROVIDED TO THE DESIGNER. THOSE RELYING ON THIS DOCUMENT ARE ADVISED TO OBTAIN INDEPENDENT VERIFICATION OF ITS ACCURACY.