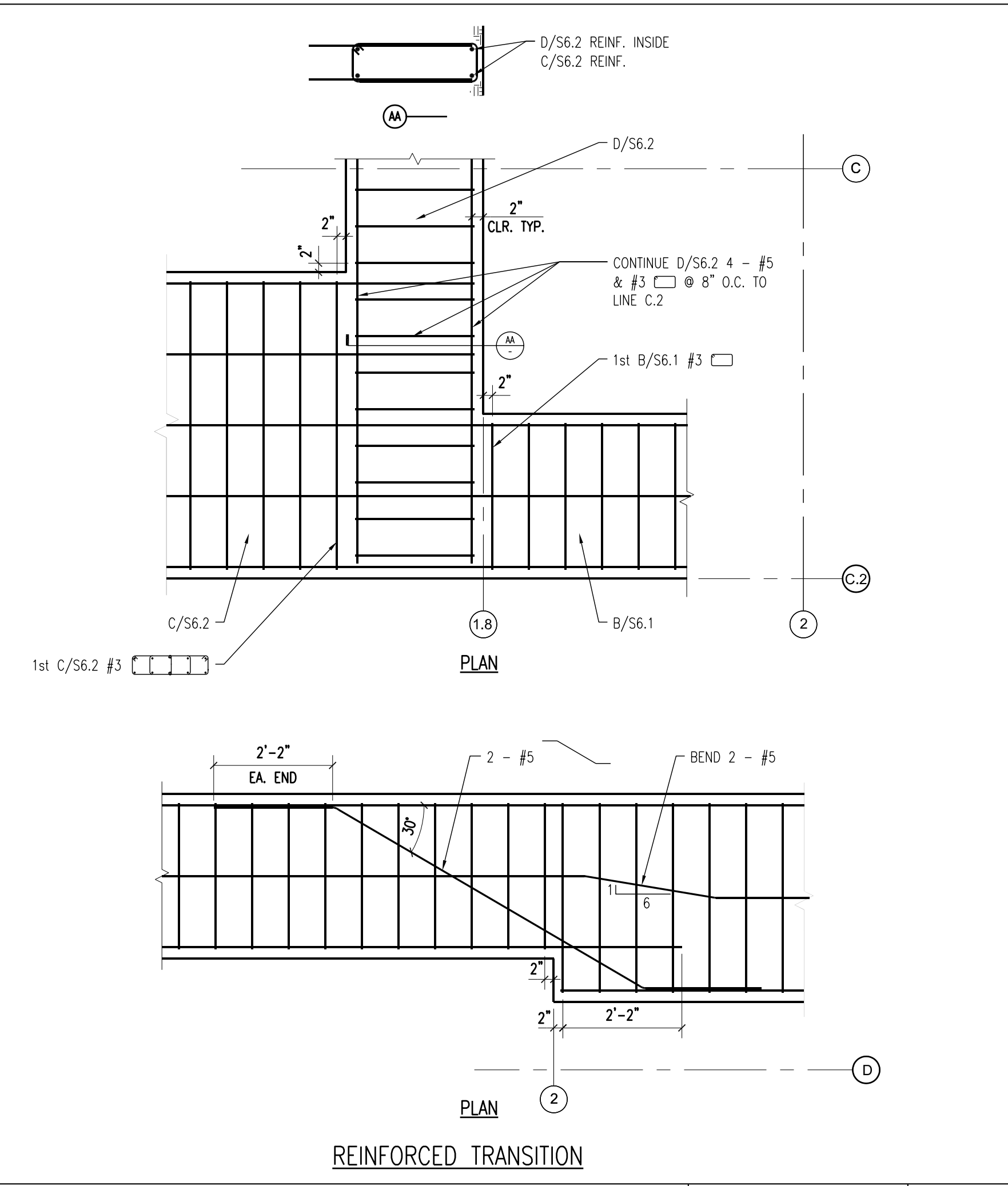
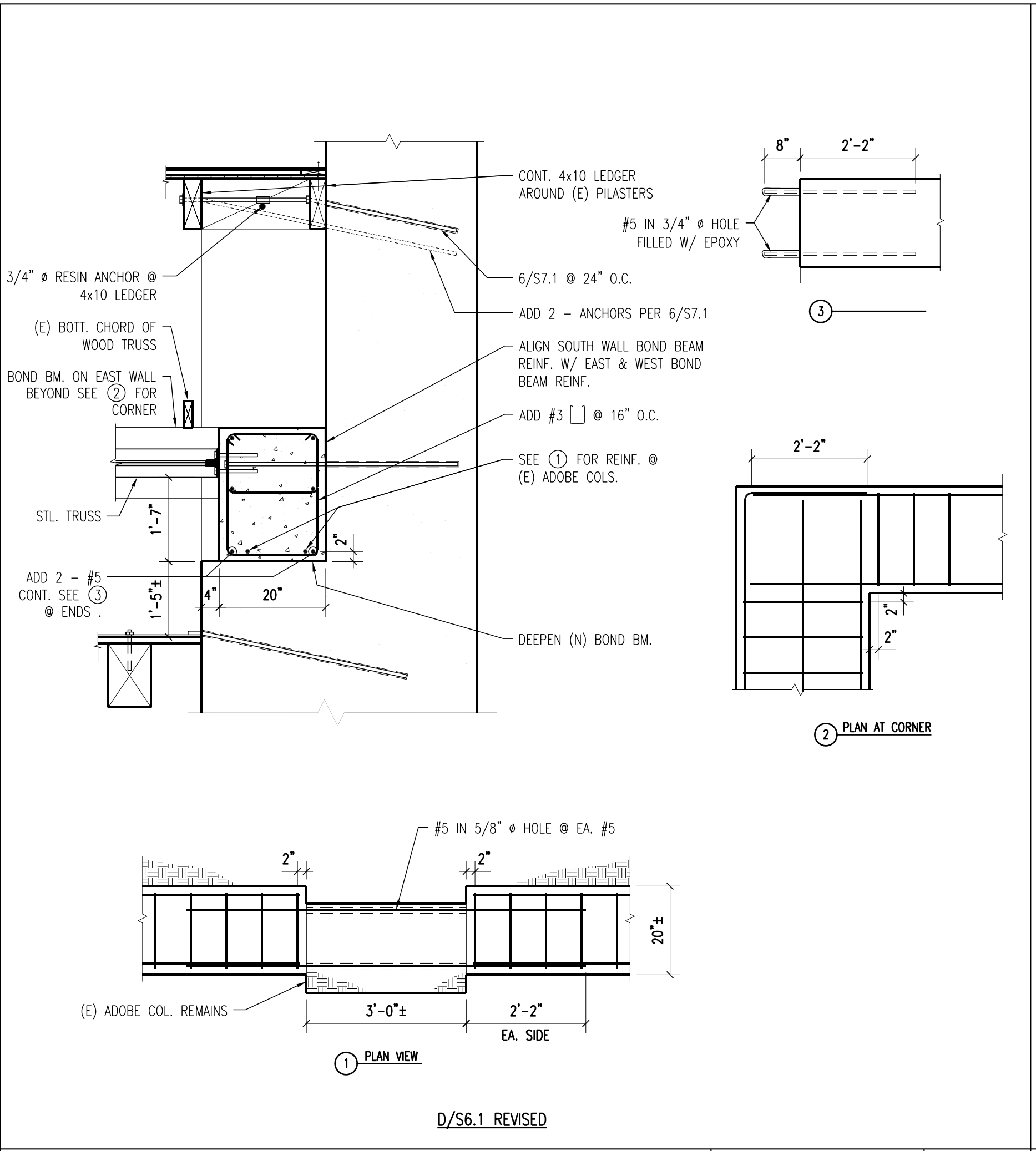


REVISSED STRUCTURAL DRAWINGS

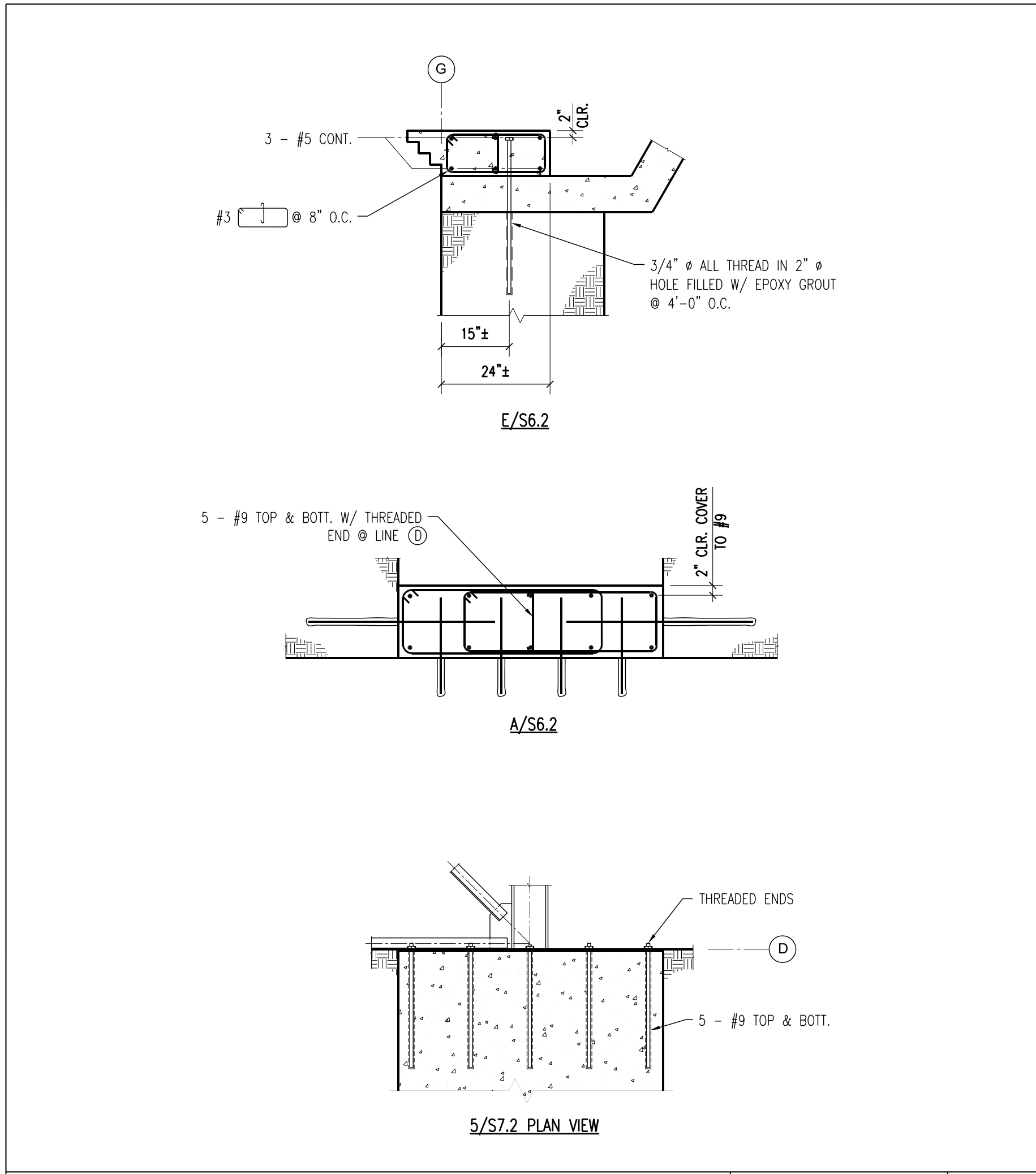
THESE REVISED STRUCTURAL DRAWINGS HAVE BEEN PREPARED, IN PART, BASED UPON INFORMATION FURNISHED BY OTHERS. WHILE THIS INFORMATION IS BELIEVED TO BE RELIABLE, HERITAGE ARCHITECTURE & PLANNING AND KRAKOWER & ASSOCIATES ASSUMES NO RESPONSIBILITY FOR THE ACCURACY OF THESE DRAWINGS OR FOR ANY ERRORS OR OMISSIONS THAT MAY HAVE BEEN INCORPORATED INTO THEM AS A RESULT OF INCORRECT INFORMATION PROVIDED TO THE DESIGNER. THOSE RELYING ON THIS DOCUMENT ARE ADVISED TO OBTAIN INDEPENDENT VERIFICATION OF ITS ACCURACY.



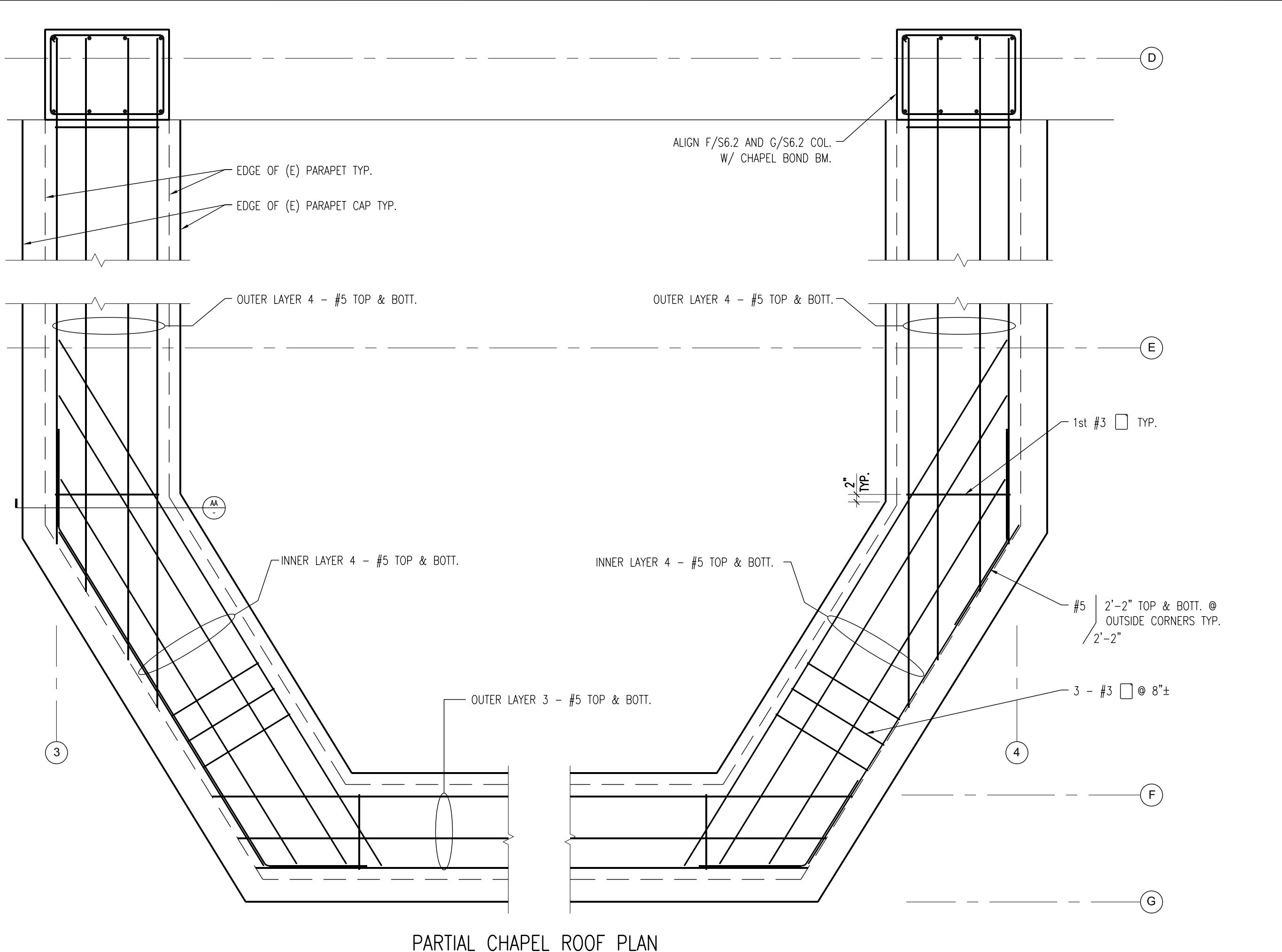
SCALE: 1/2" = 1'-0" A



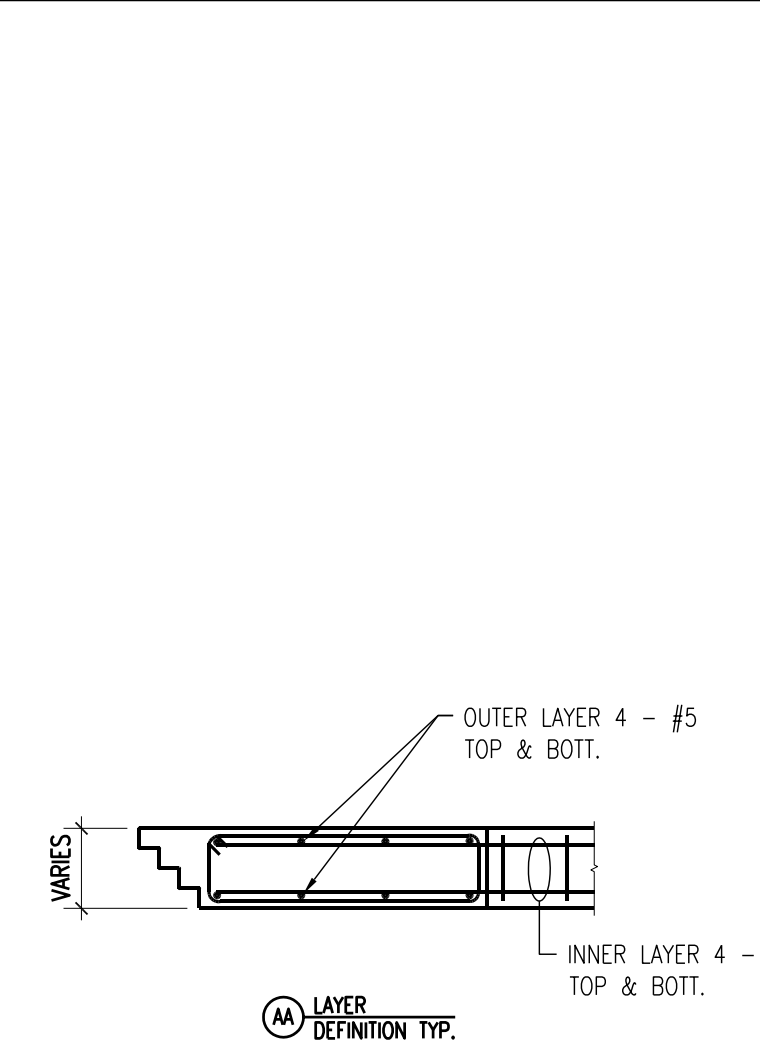
SCALE: 1/2" = 1'-0" C



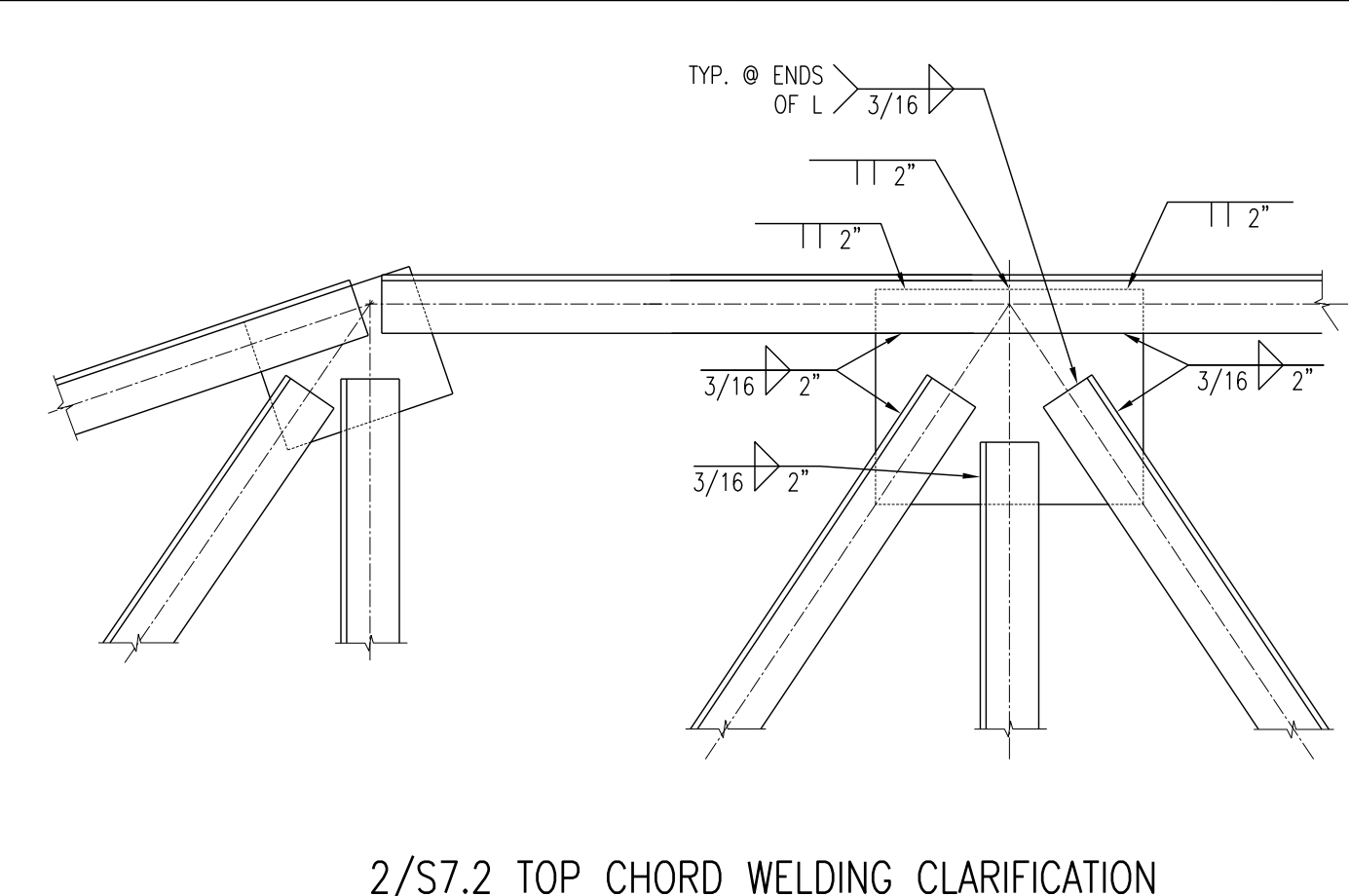
SCALE: 1/2" = 1'-0" D



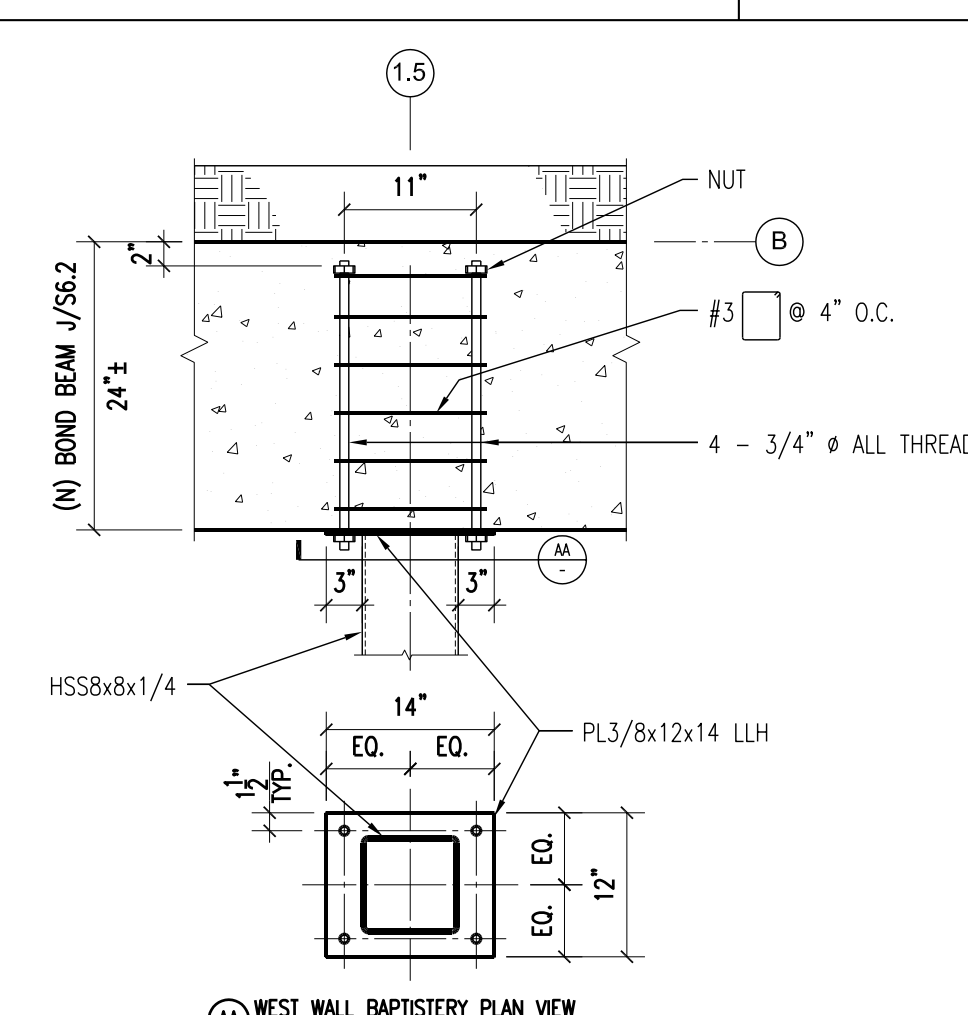
SCALE: 1/2" = 1'-0" B



NOTE:
REMOVE (E) BRICK AND ADOBE PARAPETS FOR (N) REINFORCED BOND BEAMS. EXTERIOR OF (N) BOND BEAMS SHALL MATCH (E) PARAPETS



SCALE: 1 1/2" = 1'-0" E



SCALE: 3/4" = 1'-0" F