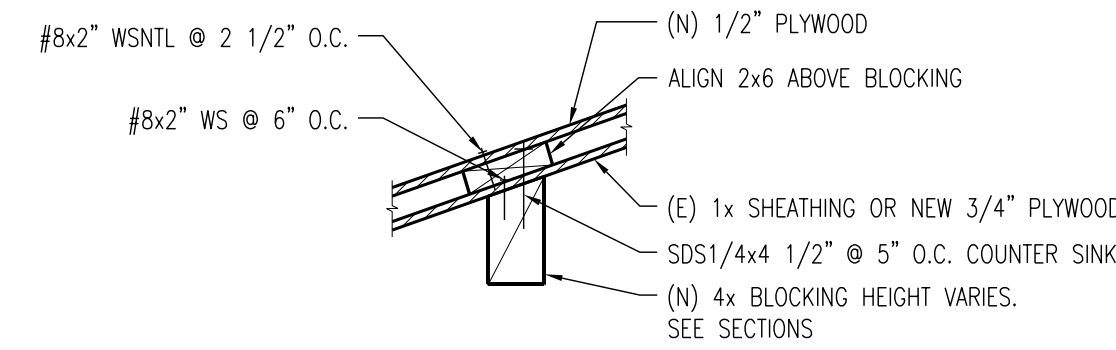


4
S7.1

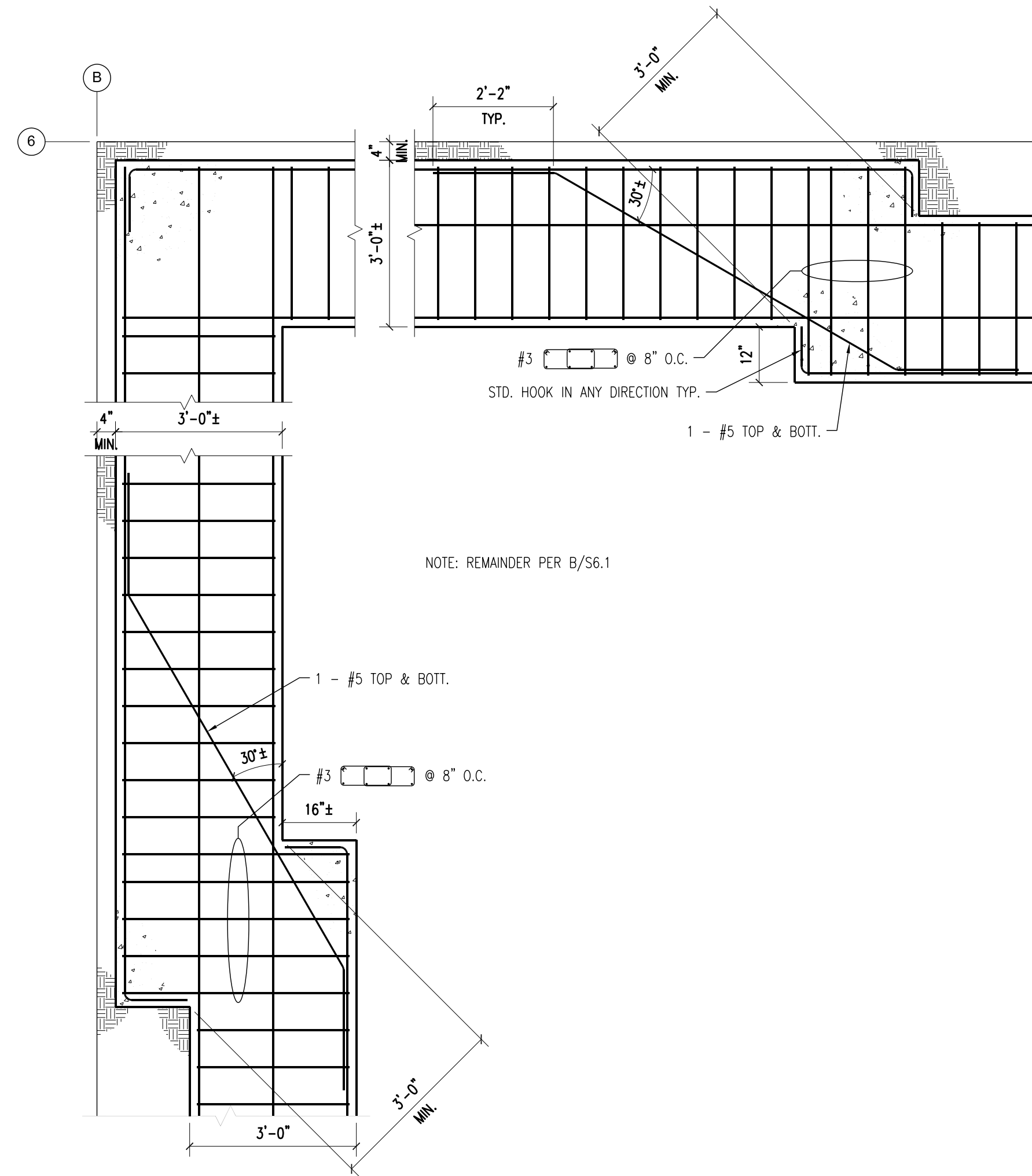


NOTE:
INCLUDES BUT NOT LIMITED TO:
B/S6.1, E/S6.1, F/S6.1, C/S6.2, H/S6.2, M/S6.2, 5/S7.1, D/S6.1

TYPICAL DIAPHRAGM EDGE FASTENING (G/S6.1 REF.)

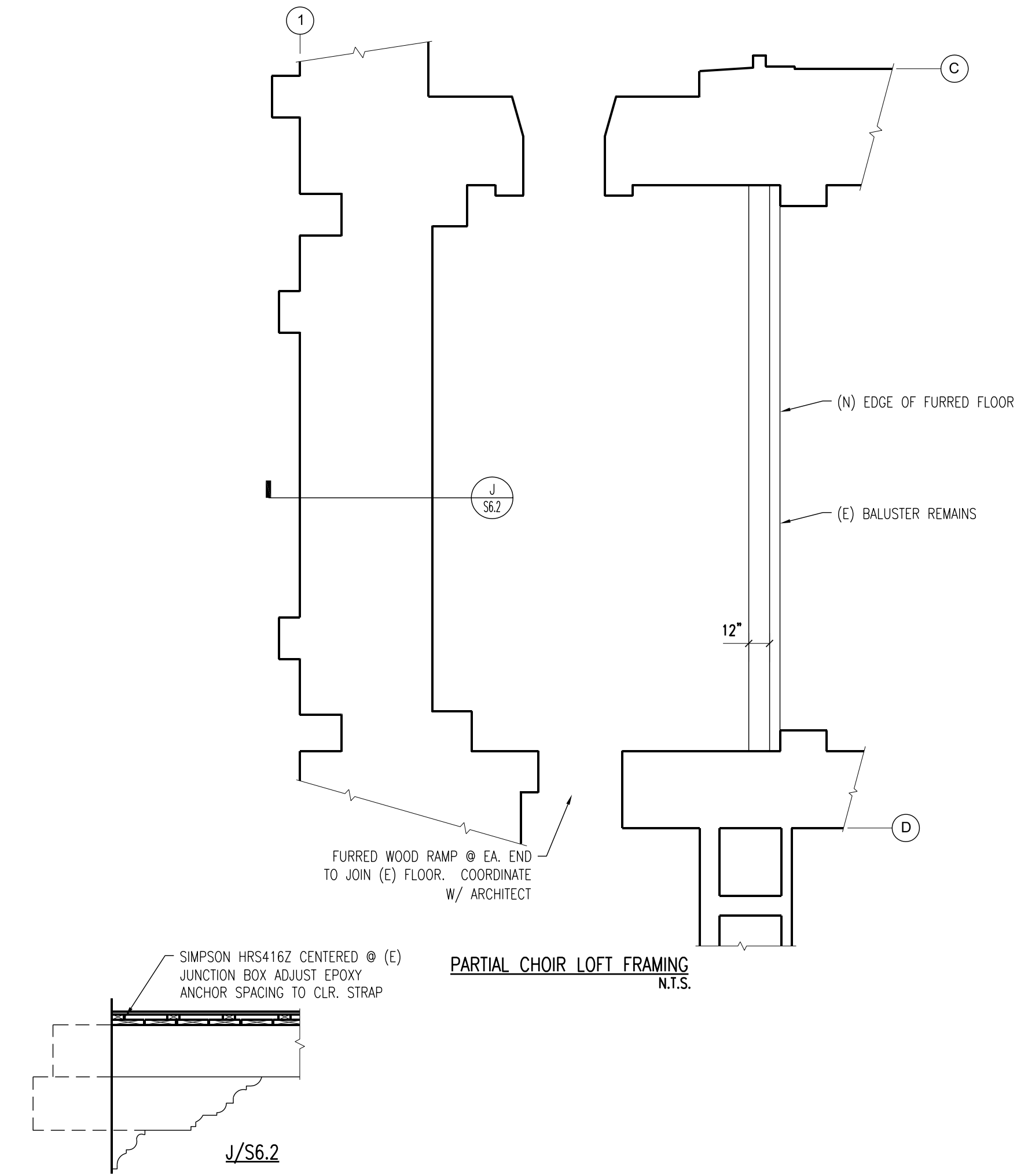
SCALE: 1" = 1'-0"

E



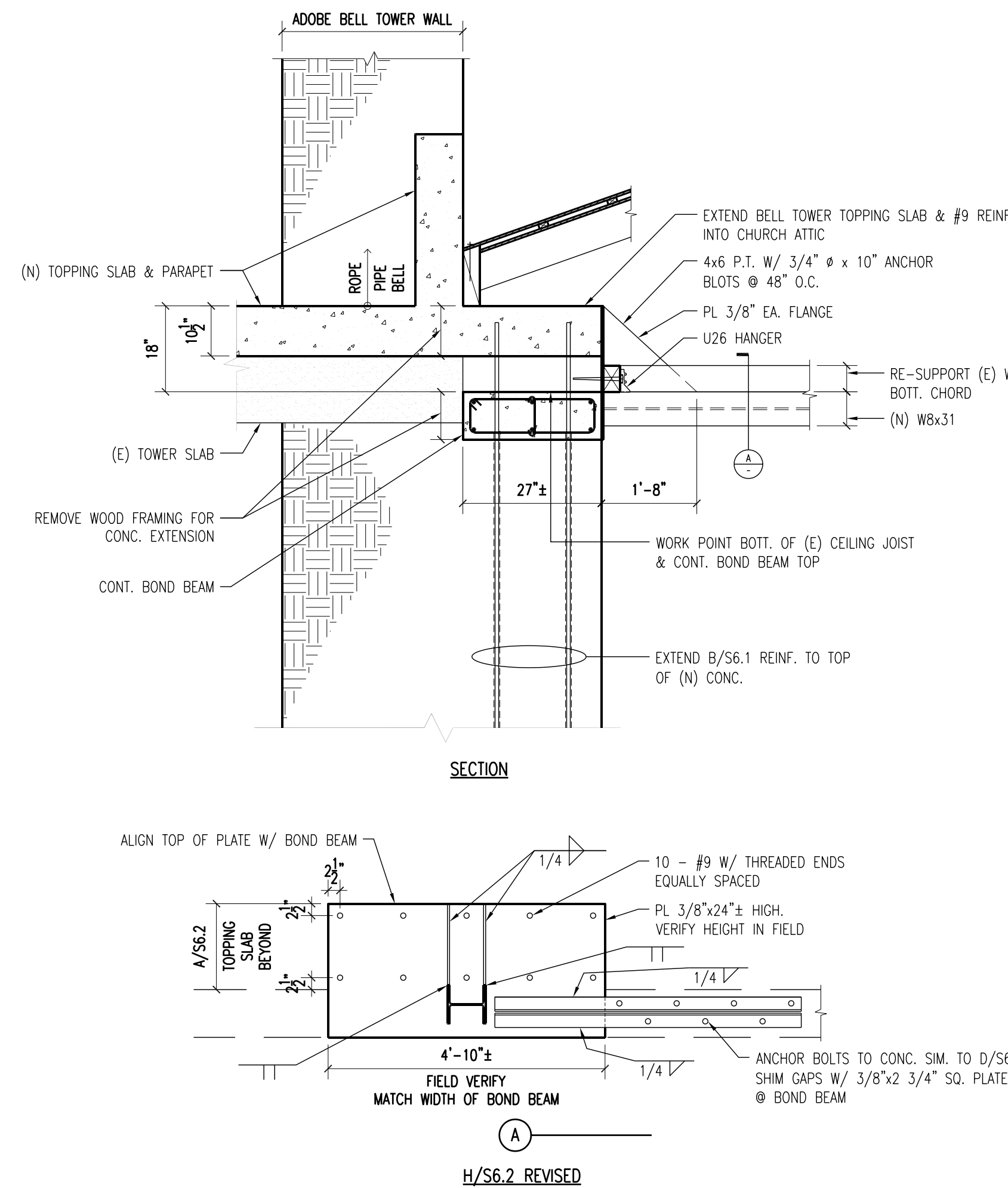
SCALE: 1/2" = 1'-0"

C



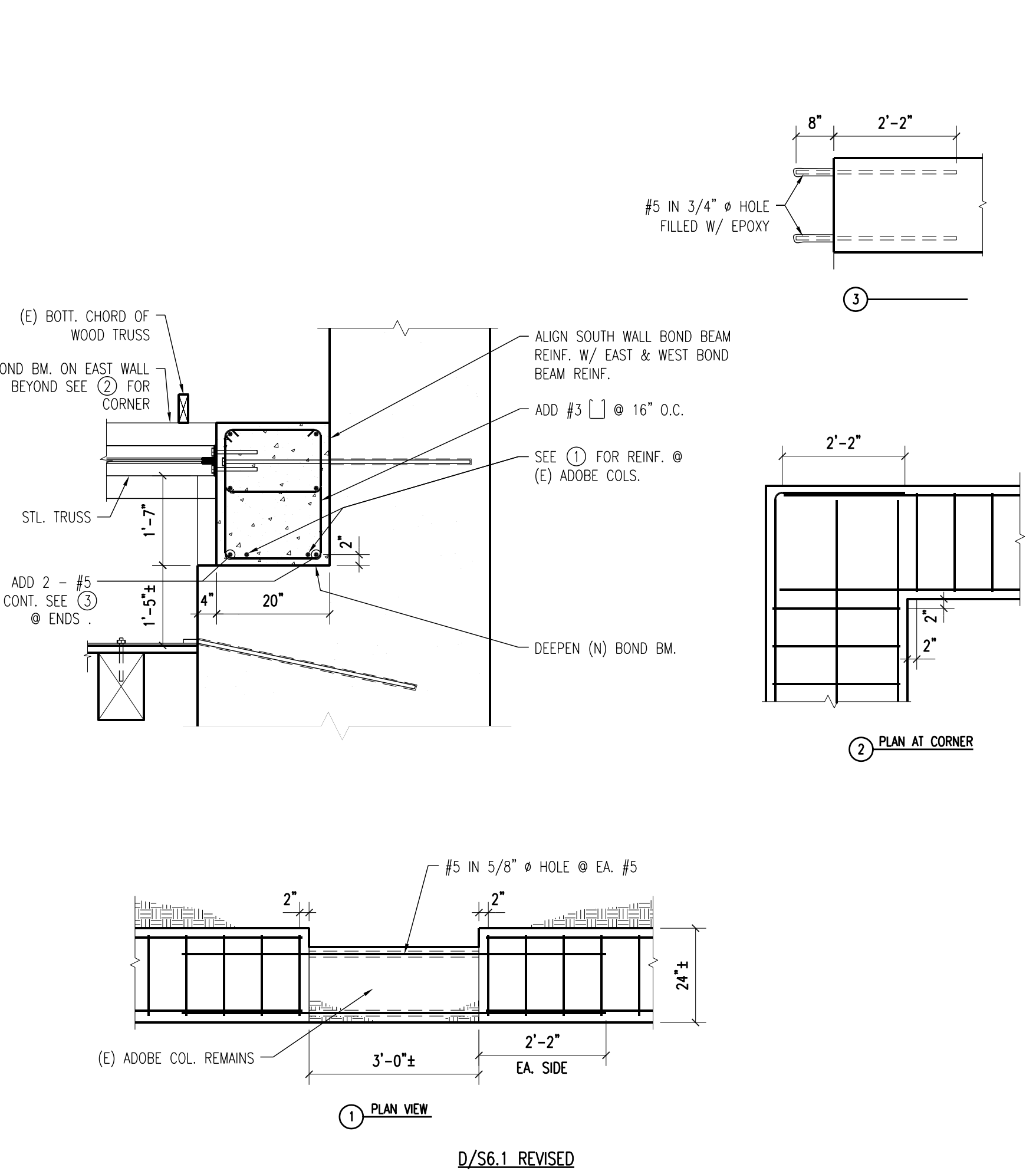
SCALE: 3/8" = 1'-0"

A



SCALE: 1/2" = 1'-0"

D



SCALE: 1/2" = 1'-0"

B

HERITAGE
ARCHITECTURE
& PLANNING

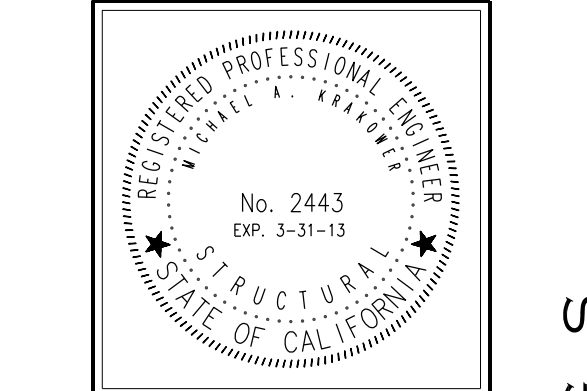
625 BROADWAY SUITE 800
SAN DIEGO CALIFORNIA 92101
(619) 239-7888 FAX (619) 234-6286

michael krakower, se

krakower & associates
structural engineers

160 white oak drive
arcadia, ca 91006

626 355-6088
fax 626 355-9394
e-mail: mkrakow@krakow.net



MISSION SAN LUIS REY
CHURCH SEISMIC RETROFIT PROJECT

4050 MISSION AVENUE, OCEANSIDE, CA 92057

ARCHITECT	C 2 4 7 8 5
OWNER	MISSION SAN LUIS REY
PROJECT	09005
DATE	APRIL 12, 2011
REVISIONS	MARCH 04, 2013
	2 FIELD CHANGES

ALL SECTIONS, IDEAS, AND ARRANGEMENTS AS INDICATED ON THESE DRAWINGS ARE THE LEGAL PROPERTY OF HERITAGE ARCHITECTURE AND PLANNING AND SHALL BE RESTRICTED TO THE ORIGINAL SITE AND SPECIFIC PROJECT FOR WHICH THEY WERE PREPARED. REPRODUCTION, PUBLICATION OR RE-USE BY ANY METHOD, WHOLE OR PART, WITHOUT THE EXPRESS WRITTEN CONSENT OF HERITAGE ARCHITECTURE AND PLANNING IS PROHIBITED. THERE SHALL BE NO CHANGES OR DEVIATIONS FROM THESE DRAWINGS OR ACCOMPANYING SPECIFICATIONS WITHOUT THE WRITTEN CONSENT OF HERITAGE ARCHITECTURE AND PLANNING. ANY ATTEMPT TO SPECIFY, ALTER, OR CHANGE THESE DRAWINGS WITHOUT THE SIGNATURES AND ASSUVE THE DESIGN TEAM OF ANY AND ALL EMBLEM, VISUAL CONTACT WITH THESE DRAWINGS AND SPECIFICATIONS, WHERE APPLICABLE, SHALL CONSTITUTE FRAUD. EVIDENCE OF THE ACCEPTANCE OF ALL THESE RESTRICTIONS WITHOUT PREJUDICE.

SHEET TITLE

STRUCTURAL
DETAILS DURING
CONSTRUCTION

CO-5

REVISSED STRUCTURAL DRAWINGS

THESE REVISED STRUCTURAL DRAWINGS HAVE BEEN PREPARED, IN PART, BASED UPON INFORMATION FURNISHED BY OTHERS. WHILE THIS INFORMATION IS BELIEVED TO BE RELIABLE, HERITAGE ARCHITECTURE & PLANNING AND KRAKOWER & ASSOCIATES ASSUMES NO RESPONSIBILITY FOR THE ACCURACY OF THESE DRAWINGS OR FOR ANY ERRORS OR OMISSIONS THAT MAY HAVE BEEN INCORPORATED INTO THEM AS A RESULT OF INCORRECT INFORMATION PROVIDED TO THE DESIGNER. THOSE RELYING ON THIS DOCUMENT ARE ADVISED TO OBTAIN INDEPENDENT VERIFICATION OF ITS ACCURACY.